

# X03804

## INSTALLATION INSTRUCTIONS SHEET

### START FROM HERE

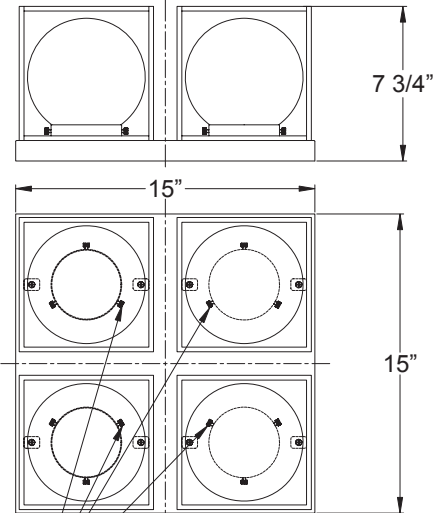
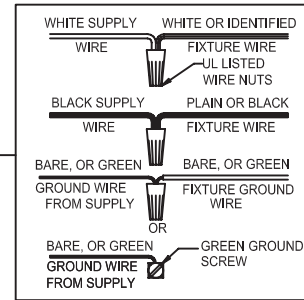
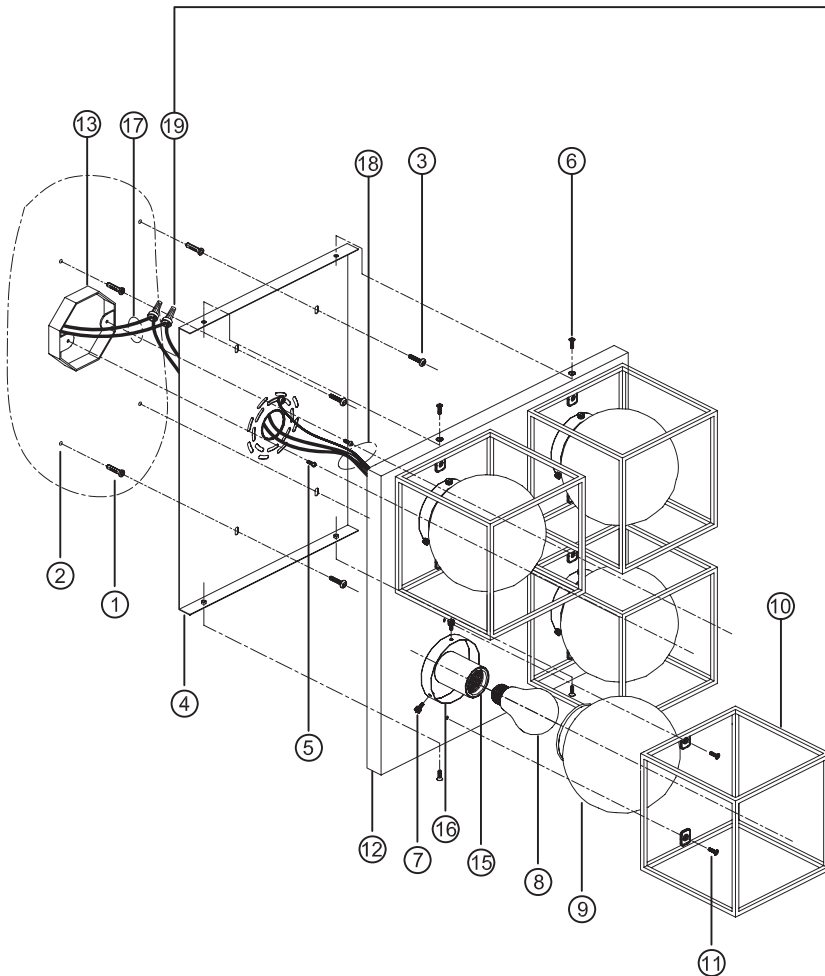
- Make sure power is completely off at the fuse box.
- Have your fixture installed by a qualified licensed electrician
- Prepare everything in clear area.
- Wear gloves at all times during this installation.
- Read instructions carefully before you start assembly.
- Keep this instruction sheet for future reference.

**Technical Support:** 1-844-628-8368

### Please Note:

- All Matteo Lighting fixtures come with pre-wired module(s).
- Unless instructed to do so, please do not touch any part of the module(s) as any unnecessary contact with the module could cause permanent damage.

THIS LUMINAIRE MUST BE MOUNTED OR SUPPORTED IN A JUNCTION BOX  
*CE LUMINAIRE DOIT ÊTRE MONTÉ OU SUPPORTÉ DANS UNE BOÎTE DE JONCTION*



**First, Please install the four ⑦ screws on the inside.  
 And adjust the screw thread to the outside of the ⑯ lamp cup 3mm.  
 Then install the glass and other ⑦ screws.**

- ① Ensure main supply is switched off.
- ② Put the anchoring(1) into the hole(2) on the wall, have the screw(3) through the mounting plate(4), and tighten with anchoring(1), have the mounting screw(5) through the mounting plate(4) and screw into junction box(13) (not provided).
- ③ Install the lamp(8) (not provided) to the socket(15), put the glass shade(9) to the socket cup(16) and tighten with screw(7), install the metal frame(10) on the back plate(12) using screw(11).
- ④ Connect the wires(17, 18) using wire nuts(19), tight mounting plate(4) and back plate(12) using screws(6).